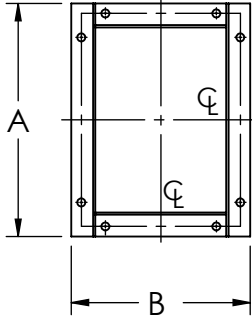
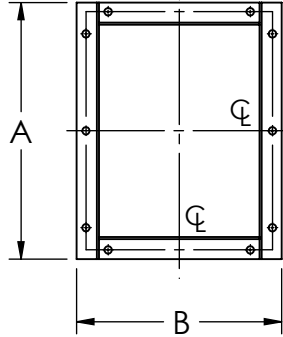


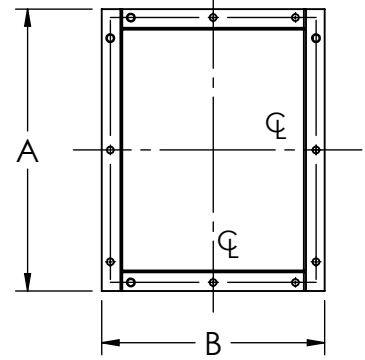
**UTILITY VENT SET FAN
 UVS2, CLASS 1, PUNCHED OUTLET FLANGE DETAIL**



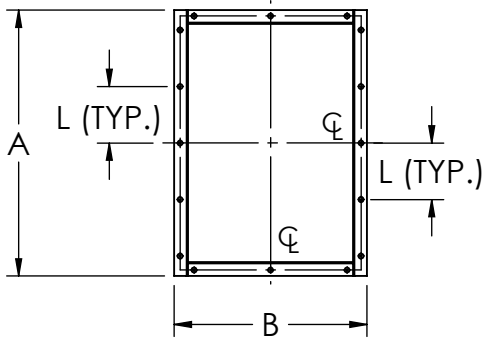
SIZES : 60-122



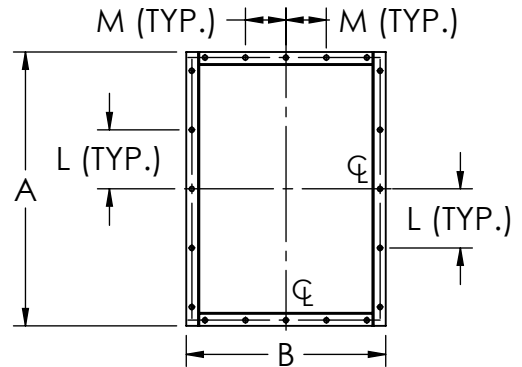
SIZES : 135-150



SIZES : 165-245



SIZE : 270



SIZES : 300-542

NOTES:

1. FLANGES FOR STANDARD CONSTRUCTION WILL BE BOLTED TO FAN HOUSING.
2. FOR ORDERS WITH UL GREASE EXHAUST, WILL BE WELDED TO FAN HOUSING.

DIMENSIONAL DETAILS

| SIZE | A | B | | | E | H | J | K | L | M | | | Q |
|------|-------|--------|-------|-------|------|------|----|------|-------|--------|-------|-------|------|
| | | 100% W | 80% W | 50% W | | | | | | 100% W | 80% W | 50% W | |
| 60 | 14.56 | 11.19 | - | - | 2.13 | 0.50 | 8 | 0.63 | - | - | - | - | 1.50 |
| 70 | 14.56 | 11.19 | - | - | 2.13 | 0.50 | 8 | 0.63 | - | - | - | - | 1.50 |
| 80 | 14.56 | 11.19 | - | - | 2.13 | 0.50 | 8 | 0.63 | - | - | - | - | 1.50 |
| 105 | 14.56 | 11.19 | - | - | 2.13 | 0.50 | 8 | 0.63 | - | - | - | - | 1.50 |
| 122 | 16.06 | 12.88 | 12.25 | - | 2.13 | 0.50 | 8 | 0.63 | - | - | - | - | 1.50 |
| 135 | 17.38 | 13.88 | 13.19 | - | 2.13 | 0.50 | 10 | 0.63 | - | - | - | - | 1.50 |
| 150 | 18.88 | 15.06 | 14.31 | - | 2.13 | 0.50 | 10 | 0.63 | - | - | - | - | 1.50 |
| 165 | 20.56 | 16.25 | 15.44 | - | 2.13 | 0.50 | 12 | 0.63 | - | - | - | - | 1.50 |
| 182 | 23.06 | 17.06 | 16.06 | 14.63 | 2.13 | 0.50 | 12 | 0.63 | - | - | - | - | 1.50 |
| 200 | 25.50 | 18.88 | 17.88 | 16.25 | 2.50 | 0.63 | 12 | 0.75 | - | - | - | - | 1.75 |
| 222 | 28.00 | 20.63 | 19.50 | 17.63 | 2.50 | 0.63 | 12 | 0.75 | - | - | - | - | 1.75 |
| 245 | 30.50 | 22.25 | 21.00 | 19.13 | 2.50 | 0.63 | 12 | 0.75 | - | - | - | - | 1.75 |
| 270 | 33.25 | 24.13 | 22.88 | 20.63 | 2.50 | 0.63 | 16 | 0.75 | 7.06 | - | - | - | 1.75 |
| 300 | 36.38 | 26.50 | 25.00 | 22.63 | 2.50 | 0.63 | 20 | 0.75 | 7.81 | 5.38 | 5.00 | 4.44 | 1.75 |
| 330 | 39.69 | 28.75 | 27.13 | 24.50 | 2.50 | 0.63 | 20 | 0.75 | 8.69 | 5.94 | 5.50 | 4.88 | 1.75 |
| 365 | 43.56 | 31.38 | 29.63 | 26.75 | 2.50 | 0.63 | 20 | 0.75 | 9.63 | 6.56 | 6.13 | 5.44 | 1.75 |
| 402 | 48.13 | 34.75 | 32.88 | 29.63 | 2.88 | 0.75 | 20 | 0.88 | 10.56 | 7.25 | 6.75 | 5.94 | 2.00 |
| 445 | 52.75 | 38.00 | 35.88 | 32.25 | 2.88 | 0.75 | 20 | 0.88 | 11.75 | 8.06 | 7.50 | 6.63 | 2.00 |
| 490 | 57.50 | 41.50 | 39.13 | 35.13 | 2.88 | 0.75 | 20 | 0.88 | 12.94 | 8.94 | 8.31 | 7.31 | 2.00 |
| 542 | 63.19 | 45.50 | 42.88 | 38.50 | 2.88 | 0.75 | 20 | 0.88 | 14.38 | 9.94 | 9.25 | 8.19 | 2.00 |

ALL DIMENSIONS ARE IN INCHES.

